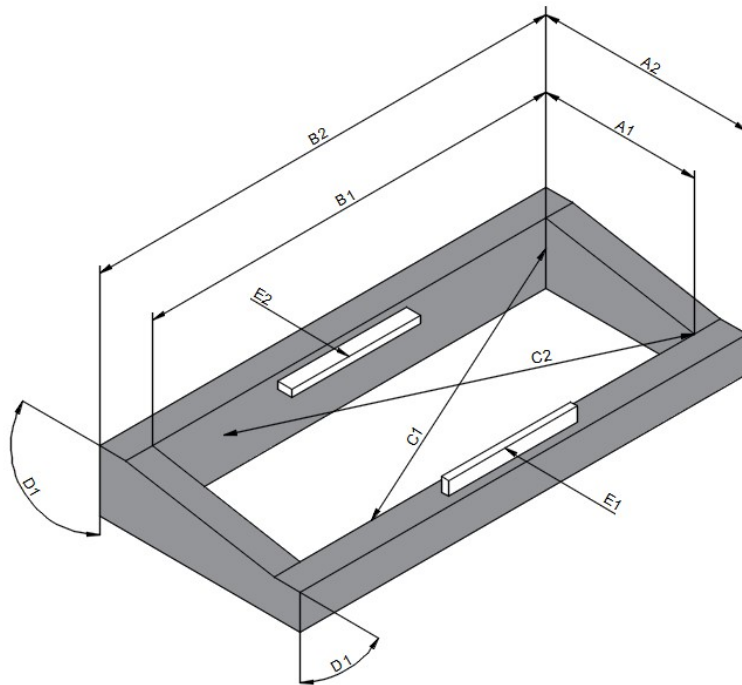


Building tolerances for the installation of skylights

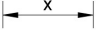
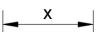
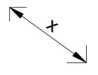


Modular Glass Skylight MS78

BKT06 –Version 09/2024



the upstand must be designed to be load-bearing all around and can safely absorb all vertical loads and horizontal spreading forces.

The values given in SI (metric) units are the standard. The values given in parentheses are for information only

building tolerances			
position	designation	tolerance [mm (inch)]	symbol
A1	roof opening width = nominal size	± 12 (0.47)	
A2	external dimensions = nominal size	± 12 (0.47)	
B1	roof opening length = nominal size	± 24 (0.94)	
B2	external dimensions = nominal size	± 24 (0.94)	
C1	1st diagonal at 10m (32.81ft) long	± 10 (0.39)	
C2	2nd diagonal = 1st diagonal		
D1	head tilt = 90°		
E1	flatness at 4m (13.12ft)	max. 20 (0.79)	
E2	flatness at 2m (6.56ft)	max. 10 (0.39)	

In case of non-compliance with the above tolerances, functional disturbances such as glazing breakage, stress cracks, leaks and disturbing visual impairments cannot be excluded. Compliance with these tolerances does not necessarily prevent visual irregularities, such as those caused by unequal offset and joint dimensions as well as non-parallel or non-angular edges.